

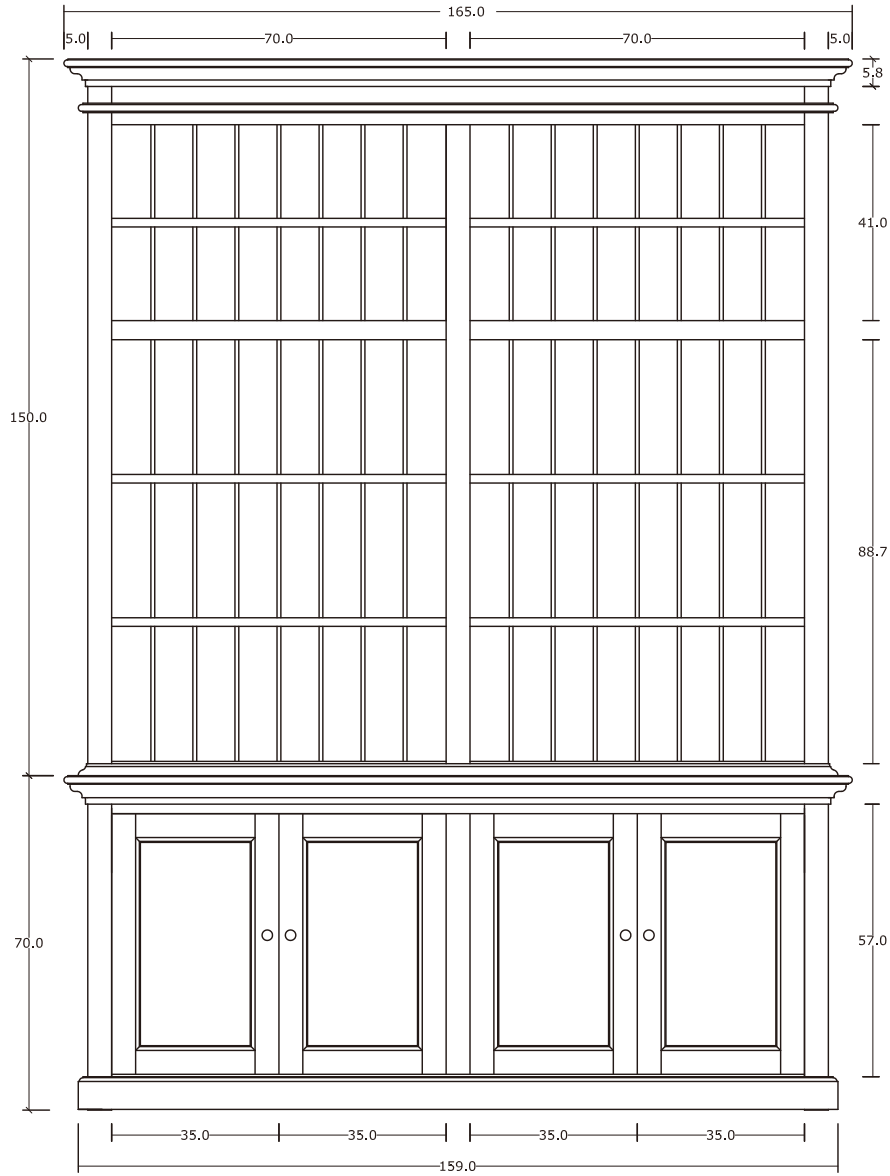
Technical Drawing

CA613

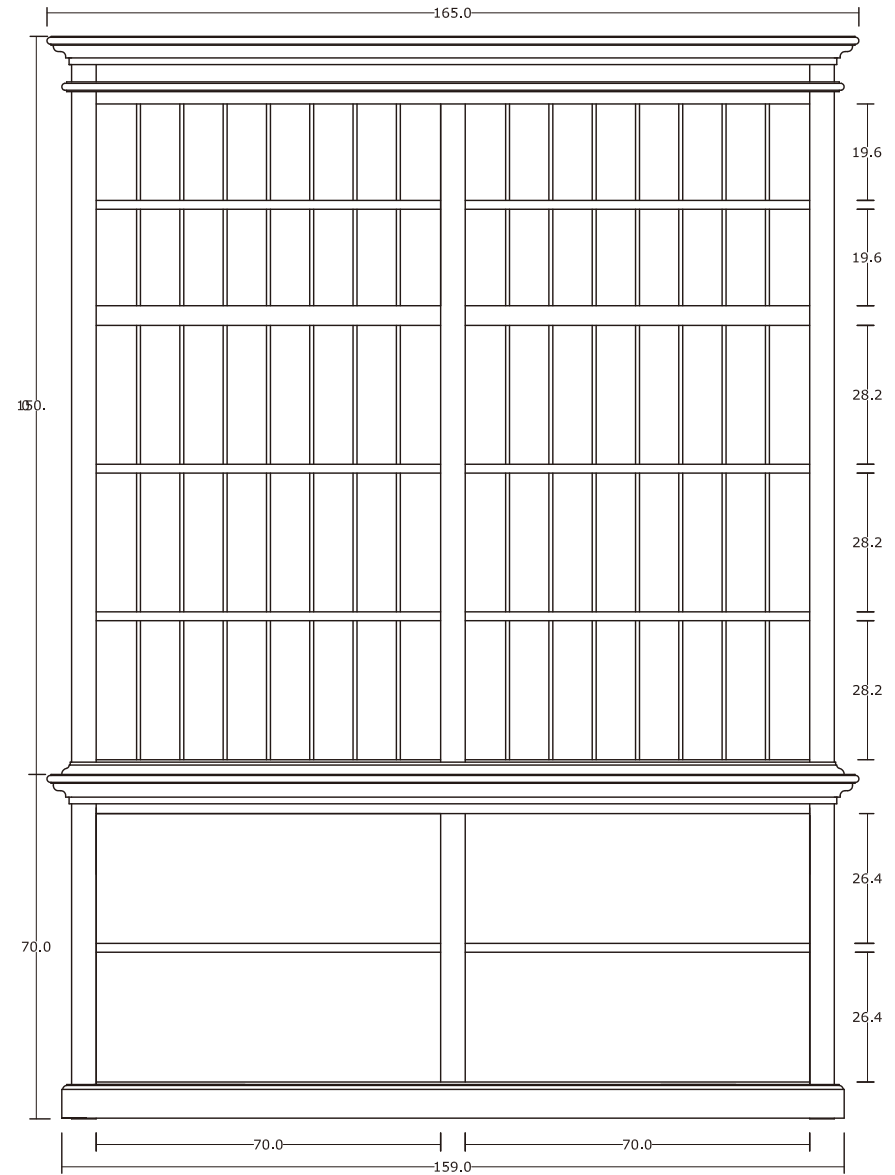
Halifax Double-Bay Hutch Unit



**NOVA
SOLO**

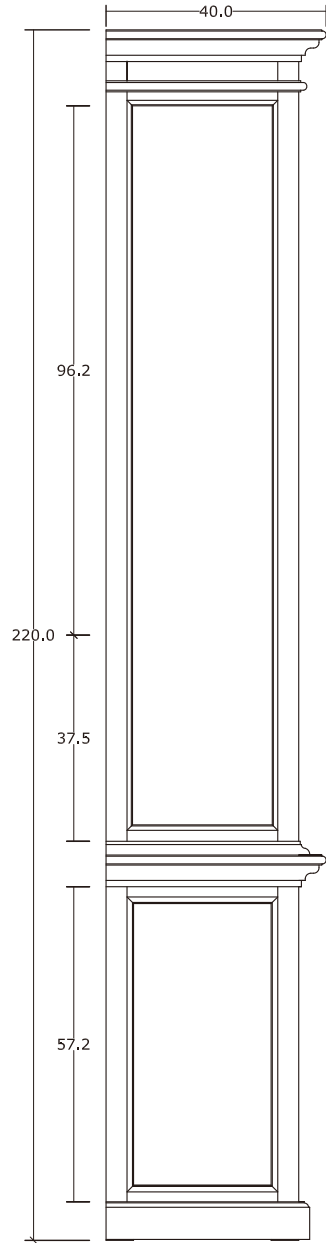


FRONT VIEW

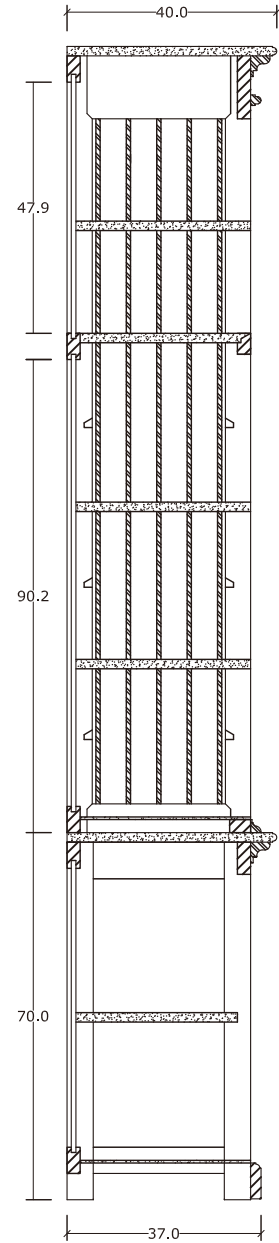


FRONT OPEN VIEW

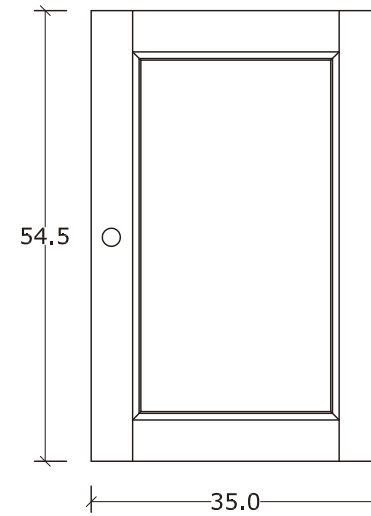
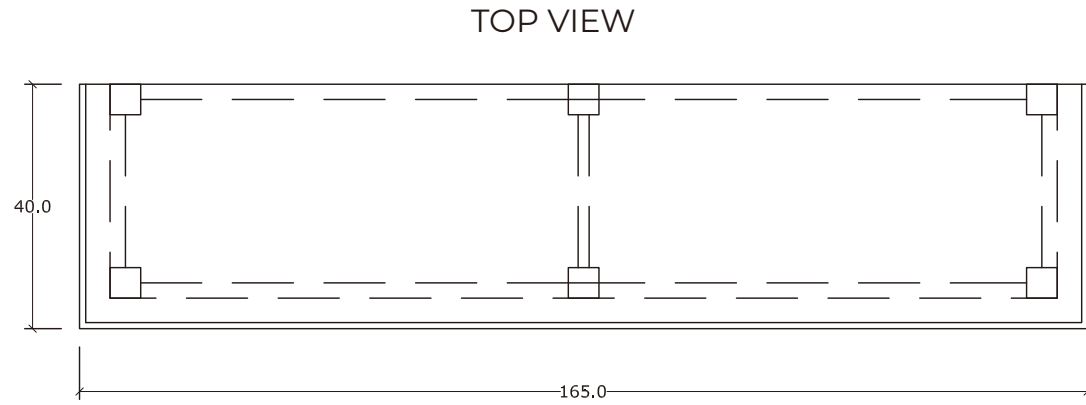
**NOVA
SOLO**



SIDE VIEW



SECTION DETAIL



DOOR DETAIL